

Name \_\_\_\_\_

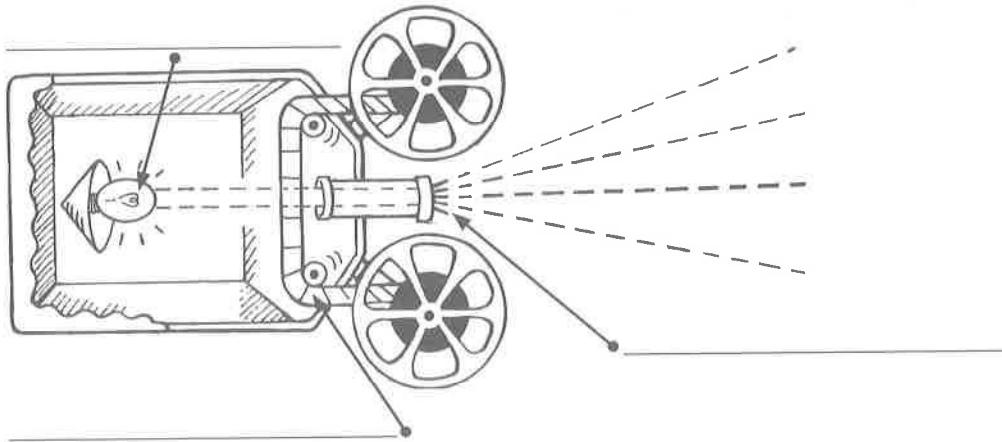
**Day  
1**

**Weekly Question**

**How does a movie projector work?**

If you have ever been to a movie theater, you saw a movie projected onto a huge screen by a special machine called a **projector**. This machine shines light through **film** that is passing through the machine quickly. The machine uses a lens to change the tiny pictures on the film into giant images that fill the screen.

- A.** The diagram below shows a very simple projector. Label the **lens**, **film**, and **light bulb**.



**Vocabulary**

**film**

*a thin strip of coated material with images on it*

**projector**

*a machine that passes light through film and a lens to project images onto a screen*

**B. Write true or false.**

1. Movie projectors make big images smaller. \_\_\_\_\_
2. A movie projector has a lens and a light bulb. \_\_\_\_\_
3. Light shines through the film before reaching the lens. \_\_\_\_\_
4. The lens of a projector has tiny pictures on it. \_\_\_\_\_