

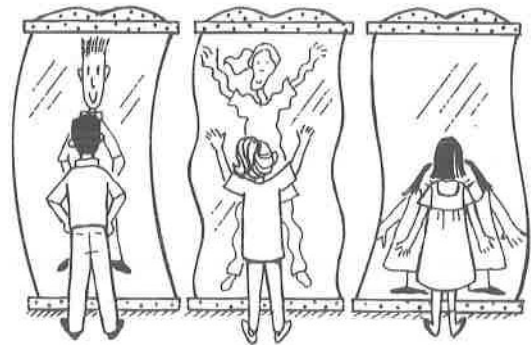
Name \_\_\_\_\_

**Day  
4**

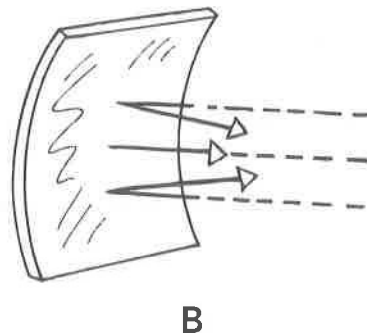
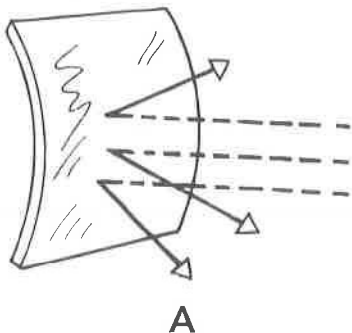
**Weekly Question**

**How do mirrors work?**

Have you ever looked at yourself in a fun-house mirror at a carnival? These mirrors are designed to stretch out your reflection in funny ways. They can make you look very tall and thin or very short and wide. How do they do this? They are curved like a lens. Just as a lens refracts the light that passes through it, a curved mirror reflects light rays in different directions, changing how you look.



**A.** Look at the curved mirrors below. Then answer each question.



1. Would mirror **A** make you look smaller, bigger, or your actual size? \_\_\_\_\_

2. Would mirror **B** make you look smaller, bigger, or your actual size? \_\_\_\_\_

**B.** If you look at your reflection in a metal spoon, the image is distorted. Why do you think that is?  
\_\_\_\_\_